

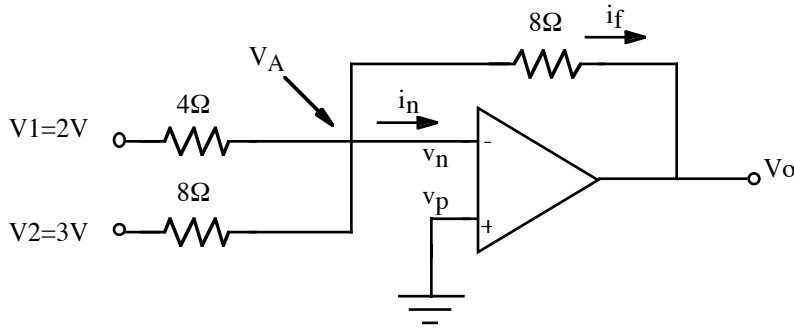
**CASE WESTERN RESERVE UNIVERSITY**  
Case School of Engineering  
Department of Electrical Engineering and Computer Science  
**ENGR 210. Introduction to Circuits and Instruments (4)**

**Quiz No. 7**

**3/5/04**

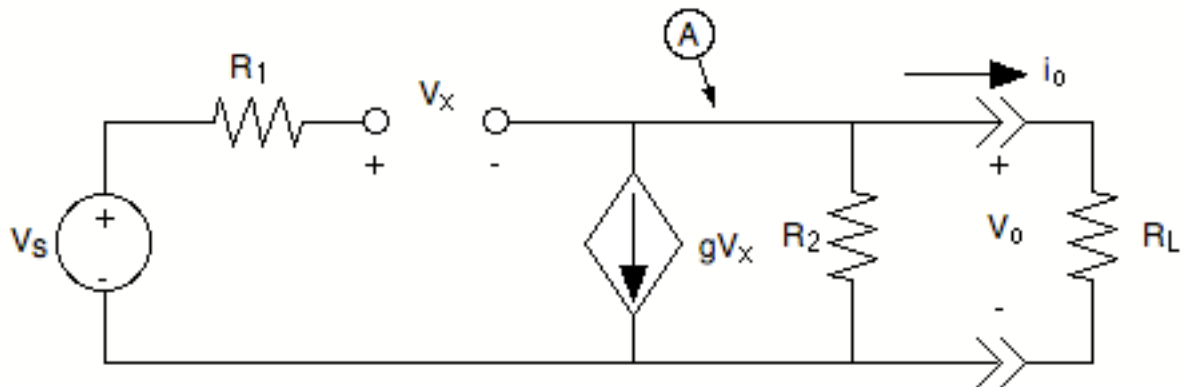
**PUT ANSWERS IN THE SPACE PROVIDED AND, IF APPROPRIATE, SHOW YOUR WORK. BE SURE TO STATE ANY ASSUMPTIONS**

**Problem 1** (10 points)



- (a) What is  $V_A$ ? \_\_\_\_\_
  
- (b) What is  $i_n$ ? \_\_\_\_\_
  
- (c) What is  $i_f$ ? \_\_\_\_\_
  
- (d) What is  $V_o$ ? \_\_\_\_\_

Name : \_\_\_\_\_ Section: \_\_\_\_\_ CWRU e-mail: \_\_\_\_\_



**Problem 2** (10 points)

(a) Determine an expression for the voltage  $V_x$  in terms of circuit constants (i.e.,  $V_s$ ,  $R_1$ ,  $g$ ,  $R_L$ , and  $R_2$ ).

(b) Determine the open circuit output voltage  $V_{oc}$ , i.e.,  $V_o$  for  $R_L = \infty$

(c) Determine the short circuit output current  $i_{sc}$ , i.e.,  $i_o$  for  $R_L = 0$

(d) What is the Thevenin output resistance  $R_T$  of this circuit?