

CASE WESTERN RESERVE UNIVERSITY
Case School of Engineering
Department of Electrical Engineering and Computer Science
ENGR 210. Introduction to Circuits and Instruments (4)

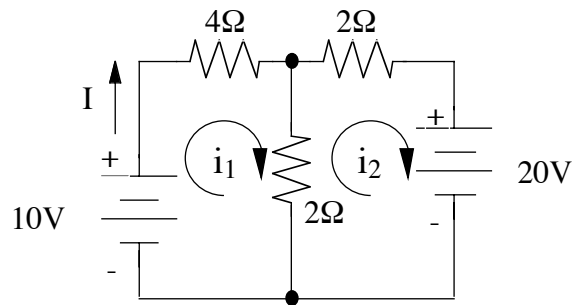
Quiz No. 4

2/13/04

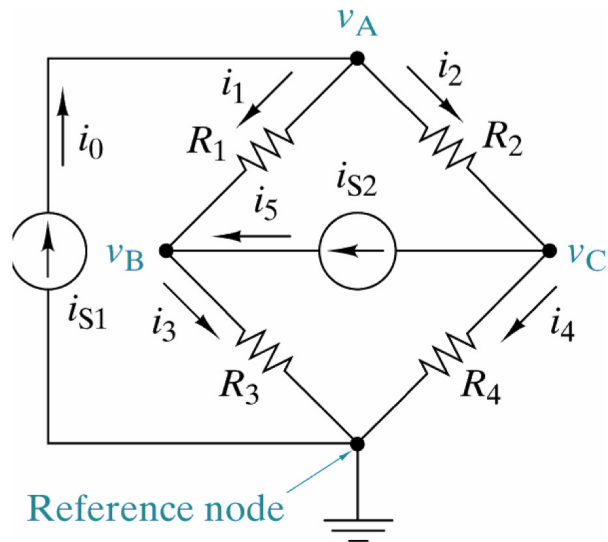
**PUT ANSWERS IN THE SPACE PROVIDED AND SHOW YOUR WORK IF APPROPRIATE
STATE ALL ASSUMPTIONS**

1. (10 points) What is the current I supplied by the 10 volt source in the figure below? Be sure to use the polarity indicated in the drawing.

$I =$ _____ Amps



2. (10 points) Find the node-voltage equations for this circuit. Complete the table.



KCL NODE	Node-Voltage Equation
A	_____ v_A + _____ v_B + _____ v_C + = _____
B	_____ v_A + _____ v_B + _____ v_C + = _____
C	_____ v_A + _____ v_B + _____ v_C + = _____