

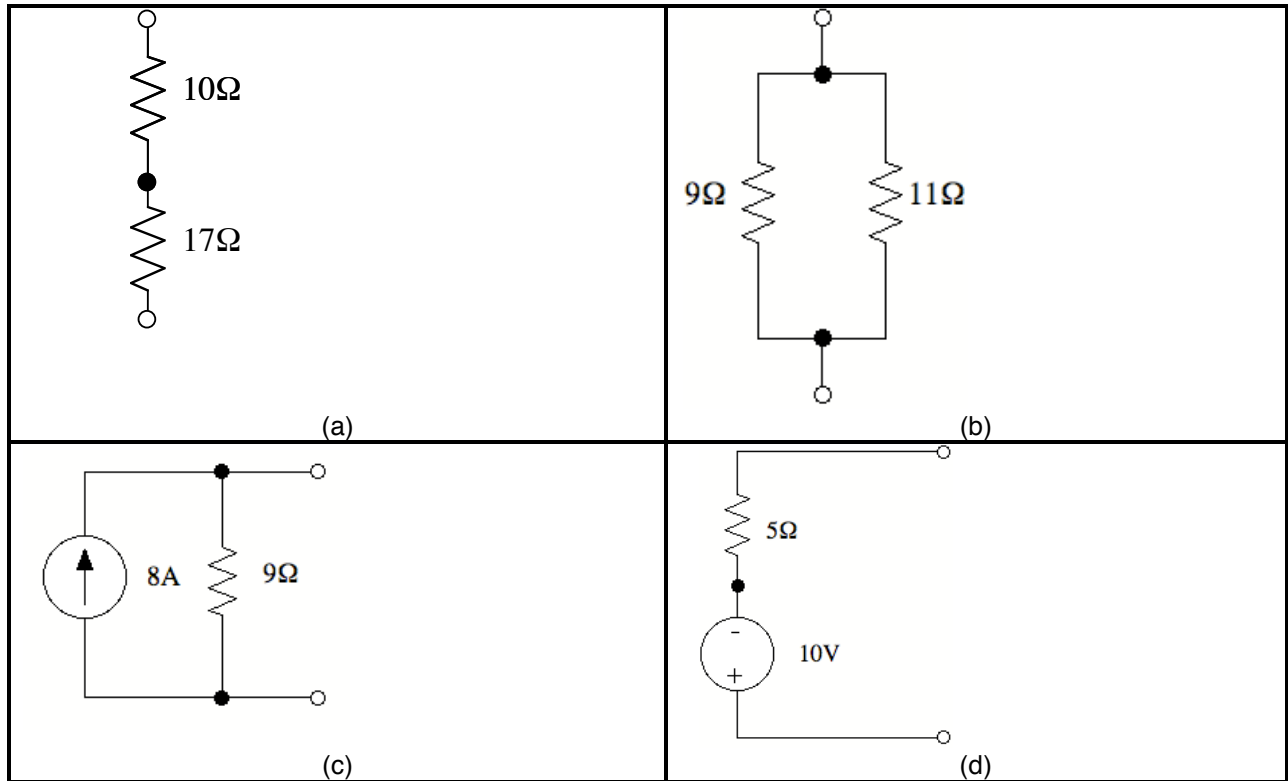
CASE WESTERN RESERVE UNIVERSITY
 Case School of Engineering
 Department of Electrical Engineering and Computer Science
ENGR 210. Introduction to Circuits and Instruments (4)

Quiz No. 3

2/6/04

PUT ANSWERS IN THE SPACE PROVIDED AND SHOW YOUR WORK IF APPROPRIATE
STATE ALL ASSUMPTIONS

1. (10 points) In (a) and (b) show the equivalent circuit. In (c) and (d) transform the source. Be sure to indicate voltage polarities and current directions.



Name : _____ Section: _____ CWRU e-mail: _____

2. (10 points) Determine the numeric values of the indicated parameters for the circuit shown below.

$V_{DB} = V_D - V_B$, the voltage of node D with respect to node B	
I_1 , the current through the 12Ω resistor (note the indicated direction)	
$V_{AC} = V_A - V_C$, the voltage of node A with respect to node C	

